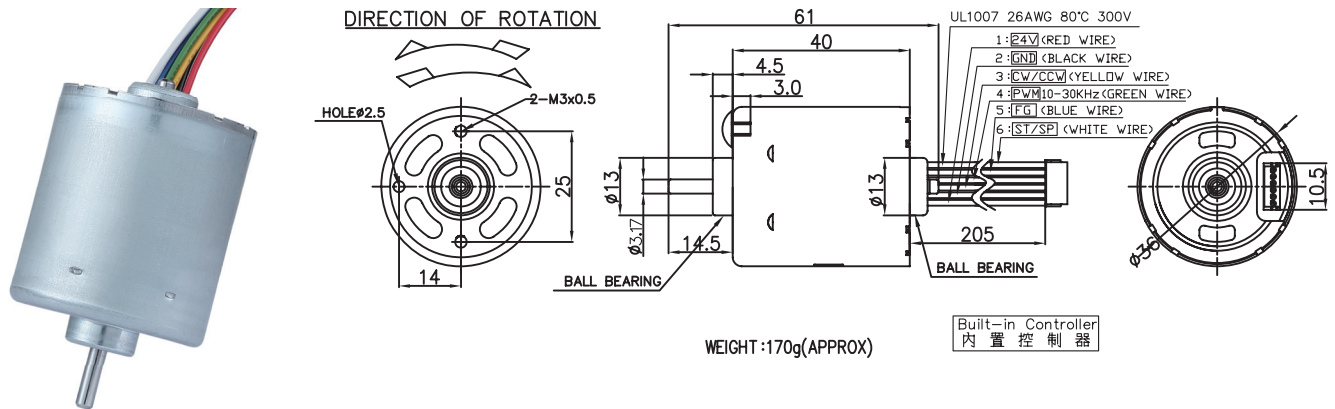


# BL3640

Brushless Dc Motor

Application : Gear Motor 、 Pump 、 Robot 、 Feeder

用途：齒輪箱、泵浦、機器人、自動投食機



MODEL	VOLTAGE		NO LOAD		AT MAXIMUM EFFICIENCY					STALL	
	OPERATING RANGE	NOMNAL	SPEED	CURRENT	SPEED	CURRENT	TORQUE	OUTPUT	EFF	CURRENT	TORQUE
			rpm	A	rpm	A	g-cm mN-m	W	%	A	g-cm mN-m
BL3640B-12V8.0K14W-B1X0N	10.0-30.0	12.0V CONSTANT	8000	0.42	6596	2.05	212 20.78	14.36	62	9.69	1287 126.18
BL3640B-12V5.0K9W-C1Y1P	10.0-30.0	12.0V CONSTANT	5000	0.17	4132	0.92	176 17.22	7.45	70	4.24	960 94.12
BL3640B-24V5.0K6W-C1Y1P	10.0-30.0	24.0V CONSTANT	5000	0.09	4413	0.45	161 15.80	7.31	72	2.47	1112 109.02
BL3640B-24V9.0K15W-C1Y1P	10.0-30.0	24.0V CONSTANT	9000	0.16	7746	1.01	222 21.76	17.66	76	5.84	1497 146.76

馬達的出軸長度及性能參數，EMC 對策可依客人要求做調整，詳情可詢問相關業務人員。  
Please inquire your sales representative for output, performance and EMC solution.

