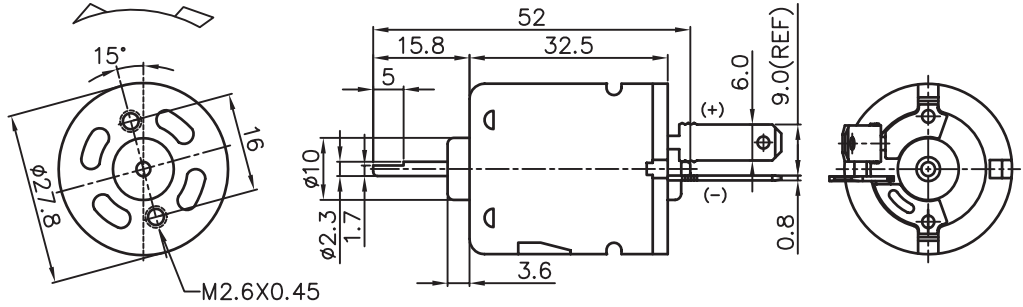


POINT1 : Automotive Water Pump

用途：汽車噴水泵



DIRECTION OF ROTATION



WEIGHT :55g(APPROX)

MODEL	VOLTAGE		NO LOAD		AT MAXIMUM EFFICIENCY						STALL		
	OPERATING RANGE	NOMNAL	SPEED rpm	CURRENT A	SPEED rpm	CURRENT A	TORQUE g-cm	TORQUE mN-m	OUTPUT W	EFF %	CURRENT A	TORQUE g-cm	TORQUE mN-m
MD5-2554AS-AA	6.0 - 12.0	12.0V CONSTANT	20300	0.55	17000	1.70	72.92	7.15	12.72	62.38	7.70	400	39.22
MD5-2450AS-AA	6.0 - 12.0	12.0V CONSTANT	22000	0.60	17200	2.00	77.50	7.60	13.73	55.91	7.40	360	35.29
MD5-1980AS-AA	12.0 - 24.0	24.0V CONSTANT	27000	0.40	22600	1.43	88.50	8.68	20.55	60.92	5.87	470	46.08
MD5-15120AS-AA	12.0 - 24.0	24.0V CONSTANT	18800	0.24	15100	0.70	66.68	6.54	10.34	61.54	2.86	340	33.33

馬達的出軸長度及性能參數，EMC 對策可依客人要求做調整，詳情可詢問相關業務人員。
Please inquire your sales representative for output, performance and EMC solution.

